



**CHANCE RIDES MANUFACTURING, INC.**  
**4200 Walker**  
**Wichita, KS 67277-2328**  
**U.S.A.**  
**Phone: 1-316-945-6555 • FAX: 1-316-942-7416**  
**Website: www.chancerides.com**  
**E-mail: rides@chancerides.com**

Bulletin No:	B400CRM191-0
Release Date:	November 21, 2014
Effective Date:	November 21, 2014
Supersedes:	N / A
Completion Date:	December 21, 2014
Page:	1 of 3

# SERVICE BULLETIN

Ride Manufacturer: CHANCE RIDES, MANUFACTURING, INC.      Affected Production Dates: All  
 CHANCE RIDES, INC.

Ride Name: GIANT GONDOLA WHEEL - Park Model Only      Affected Serial Nos.: All

Model No.: 400

Abstract of Issue:  
 Axle and Bolting Flange Inspection

Reason For Release:  
**This bulletin applies only to park model GIANT GONDOLA WHEEL amusement rides. The inspection described in this bulletin must be performed in addition to all other inspections previously required.**

Chance Rides Manufacturing, Inc. has become aware of a crack in the area of the bolting flange for the main axle of a GIANT GONDOLA WHEEL amusement ride. Failure of the axle or related components could result in serious injury to passengers and/or bystanders.

Action to be Taken:  
 Chance Rides Manufacturing, Inc. requires all owner/operators of the above noted GIANT GONDOLA WHEEL amusement to perform the inspections described on the following pages of this bulletin. These inspections must be performed within 30 days of the issue date of this bulletin, then annually thereafter.

If any indications are found, contact the Customer Service Department at Chance Rides Manufacturing, Inc. immediately for instructions on further action to be taken.

**DO NOT ATTEMPT TO WELD OR OTHERWISE REPAIR THE AXLE OR BEARING HOUSINGS EXCEPT AS SPECIFICALLY INSTRUCTED BY CHANCE RIDES MANUFACTURING, INC.**

If no indications are found, operation of the ride can resume.

All work must be performed by qualified personnel, capable of understanding the function of the parts and their proper installation. Use only those components authorized, specified or provided by Chance Rides Manufacturing, Inc. All applicable OSHA safety standards and safe industry practices must be observed.

Observe all safety information contained in the manufacturer's manuals. Make available this bulletin and all related technical information to personnel using the equipment.

Chance Rides Manufacturing, Inc. issues notifications for the benefit of owners of amusement rides manufactured by Chance Rides Manufacturing, Inc. As a service to the industry, and in the interest of employee and public safety, Chance Rides Manufacturing, Inc. also issues notifications for the benefit of owners of amusement ride equipment for which the manufacturer no longer exists, such as the Allan Herschell Company, Chance Manufacturing Co., Inc., Chance Rides, Inc., etc. In doing so, Chance Rides Manufacturing, Inc. does not assume liability for losses associated with amusement ride equipment built by manufacturers other than Chance Rides Manufacturing, Inc.



**CHANCE RIDES MANUFACTURING, INC.**

**4200 Walker**

**Wichita, KS 67277-2328**

**U.S.A.**

**Phone: 1-316-945-6555 • FAX: 1-316-942-7416**

**Website: [www.chancerides.com](http://www.chancerides.com)**

**E-mail: [rides@chancerides.com](mailto:rides@chancerides.com)**

Bulletin No: B400CRM191-0

Release Date: November 1, 2014

Effective Date: November 1, 2014

Supersedes: N / A

Completion Date: December 1, 2014

Page: 2 of 3

Ride Manufacturer: CHANCE RIDES, MANUFACTURING, INC.  
CHANCE RIDES, INC.

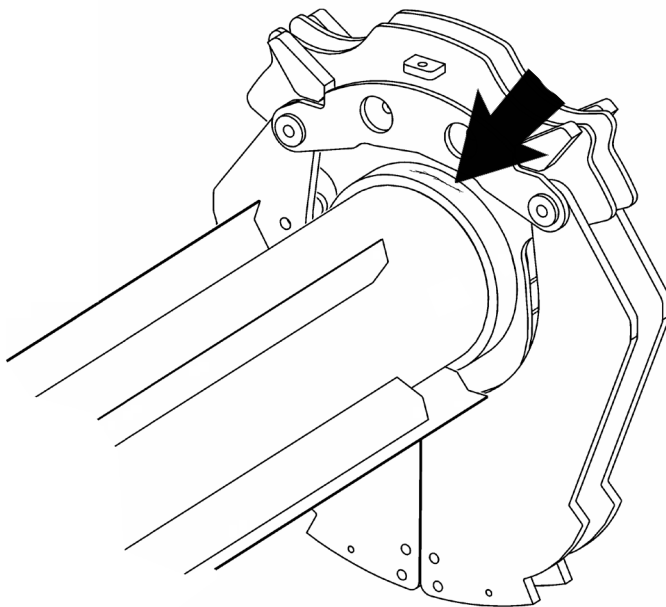
Affected Production Dates: All

Ride Name: GIANT GONDOLA WHEEL - Park Model Only

Affected Serial Nos.: All

Model No.: 400

Detail of Issue



### Axle Inspection

Visually inspect the axle in the areas indicated by the arrows in these two views.

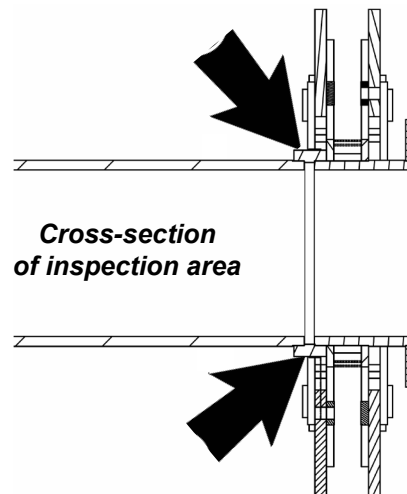
- Check all the way around the axle
- Check at both ends of the axle

This is an annual inspection.

**If any indications are found**, contact the Customer Service Department at Chance Rides Manufacturing, Inc. immediately for instructions on further action to be taken.

**If no indications are found**, operation of the ride can resume.

**NOTE:** For clarity, some components are not shown in the illustrations.



**Cross-section  
of inspection area**



**CHANCE RIDES MANUFACTURING, INC.**  
**4200 Walker**  
**Wichita, KS 67277-2328**  
**U.S.A.**  
**Phone: 1-316-945-6555 • FAX: 1-316-942-7416**  
**Website: [www.chancerides.com](http://www.chancerides.com)**  
**E-mail: [rides@chancerides.com](mailto:rides@chancerides.com)**

Bulletin No: B400CRM191-0  
Release Date: November 21, 2014  
Effective Date: November 21, 2014  
Supersedes: N / A  
Completion Date: December 21, 2014  
Page: 3 of 3

Ride Manufacturer: CHANCE RIDES, MANUFACTURING, INC.  
CHANCE RIDES, INC.

Affected Production Dates: All

Ride Name: GIANT GONDOLA WHEEL - Park Model Only

Affected Serial Nos.: All

Model No.: 400

Detail of Issue (continued):

### **Bolting Flange Weld Inspection**

Visually inspect the bolting flanges on the axle and bearing housings in the areas indicated by the arrows.

- Check the welds on the outside of the bolting flange all the way around the axle.
- Check the welds on the outside of the bolting flange all the way around the bearing housing.
- Check at at both ends of the axle and both bearing housings

This is an annual inspection.

**If any indications are found**, contact the Customer Service Department at Chance Rides Manufacturing, Inc. immediately for instructions on further action to be taken.

**If no indications are found**, operation of the ride can resume.

