	<b>CHANCE RIDES MANUFACTURING, INC.</b> 4200 Walker Wichita, KS 67277-2328 U.S.A. Phone: 1-316-942-7411 • FAX: 1-316-942-2012 Website: <a href="http://www.rides.com">www.rides.com</a> E-mail: <a href="mailto:rides@rides.com">rides@rides.com</a>	Bulletin No: B410CRM126-A
		Release Date: February 19, 2004
		Effective Date: Immediately
		Supersedes: B410CRM126-0
		Completion Date: N / A
		Page: 1 of 3

# SERVICE BULLETIN

Ride Manufacturer: CHANCE RIDES, INC.	Affected Production Dates: January 1, 1999 and on
Ride Name: AVIATOR	Affected Serial Nos.: 410-00399 and on
Model No.: 410	
Abstract of Issue: Vehicle Frame Inspection	
Reason For Release:  <p><b>Service bulletin B410CRM126-0 is superseded by this bulletin and is no longer in effect. The affected serial numbers have been revised. Ride serial numbers 410-00198 and 410-00298 are not affected by this service bulletin.</b></p> <p>Chance Rides Manufacturing, Inc. has become aware of cracks in the vehicle frames on at least one AVIATOR amusement ride. Failure of a vehicle frame could result in serious injury to passengers and/or bystanders.</p>	
Action to be Taken: <p>Chance Rides Manufacturing, Inc. requires all owner/operators of the above noted AVIATOR rides to immediately inspect the frames on all vehicles. If any indications are found, contact the Customer Service Department at Chance Rides Manufacturing, Inc. immediately for instructions on further action to be taken.</p> <p><b>DO NOT ATTEMPT TO WELD OR OTHERWISE REPAIR THE VEHICLE FRAME EXCEPT AS SPECIFICALLY INSTRUCTED BY CHANCE RIDES MANUFACTURING, INC.</b></p> <p>If no indications are found, perform the same inspection ANNUALLY.</p> <p>All work must be performed by qualified personnel, capable of understanding the function of the parts and their proper installation. Use only those components authorized, specified or provided by Chance Rides Manufacturing, Inc. All applicable OSHA safety standards and safe industry practices must be observed.</p> <p>Observe all safety information contained in the manufacturer's manuals. Make available this bulletin and all related technical information to personnel using the equipment.</p> <p>Chance Rides Manufacturing, Inc. issues notifications for the benefit of owners of amusement rides manufactured by Chance Rides Manufacturing, Inc. As a service to the industry, and in the interest of employee and public safety, Chance Rides Manufacturing, Inc. also issues notifications for the benefit of owners of amusement ride equipment for which the manufacturer no longer exists, such as the Allan Herschell Company, Chance Manufacturing Co., Inc., Chance Rides, Inc., etc. In doing so, Chance Rides Manufacturing, Inc. does not assume liability for losses associated with amusement ride equipment built by manufacturers other than Chance Rides Manufacturing, Inc.</p>	



**CHANCE RIDES MANUFACTURING, INC.**  
4200 Walker  
Wichita, KS 67277-2328  
U.S.A.  
Phone: 1-316-942-7411 • FAX: 1-316-942-2012  
Website: [www.rides.com](http://www.rides.com)  
E-mail: [rides@rides.com](mailto:rides@rides.com)

Bulletin No:	B410CRM126-A
Release Date:	February 19, 2004
Effective Date:	Immediately
Supersedes:	B410CRM126-0
Completion Date:	N / A
Page:	2 of 3

Ride Manufacturer: CHANCE RIDES, INC.

Affected Production Dates: January 1, 1999 and on

Ride Name: AVIATOR

Affected Serial Nos.: 410-00399 and on

Model No.: 410

Detail of Issue (continued):

**Vehicle Frame Inspection Procedure**

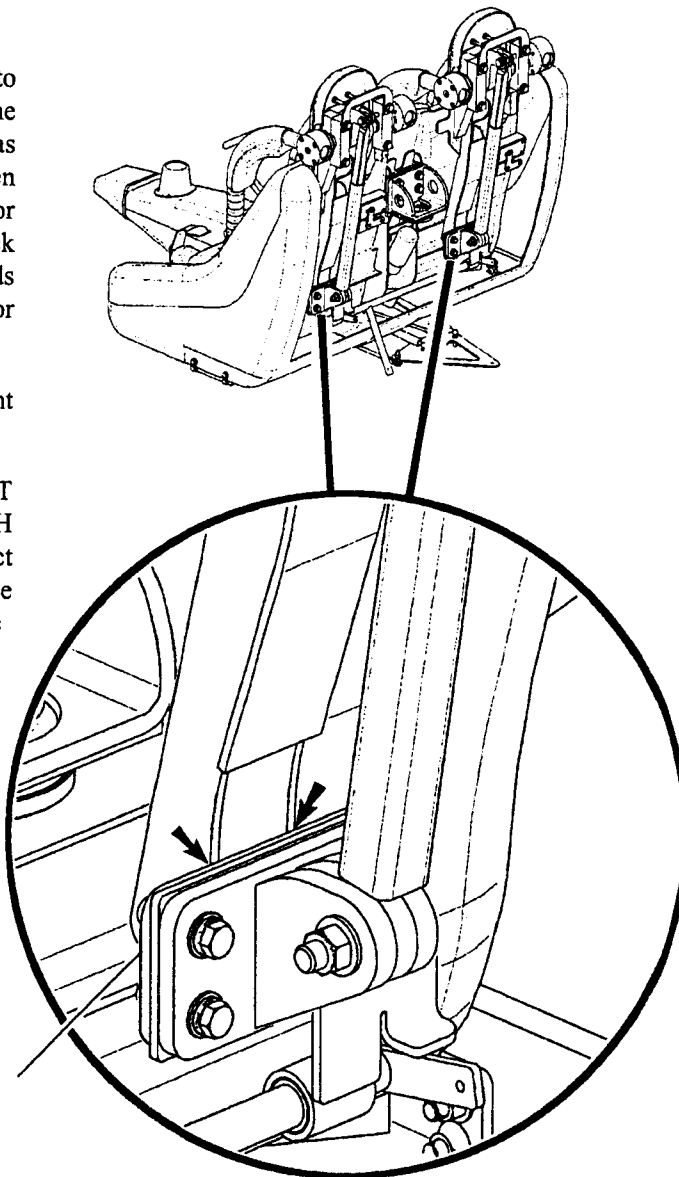
Remove the back covers from all vehicles to gain access to the mounting plates for the restraint bar primary lock mechanisms as shown. Visually inspect the joint between the frame and mounting plates. Look for indications in the aluminum plates and check the welded joints for indications in the welds and the parent metal. An inspection mirror is necessary to see these areas.

Make sure the mounting plates are not bent or distorted.

If any indication is found, DO NOT OPERATE THE RIDE WITH PASSENGERS IN THAT SEAT. Contact the Customer Service Department at Chance Rides Manufacturing, Inc. for specific instructions on further action to be taken.

*Use an inspection mirror to inspect this area on both sides of each vehicle frame. See DETAIL on next page*

*Mounting plate for restraint bar primary lock mechanism (welded to vehicle frame)*





**CHANCE RIDES MANUFACTURING, INC.**  
4200 Walker  
Wichita, KS 67277-2328  
U.S.A.  
Phone: 1-316-942-7411 • FAX: 1-316-942-2012  
Website: [www.rides.com](http://www.rides.com)  
E-mail: [rides@rides.com](mailto:rides@rides.com)

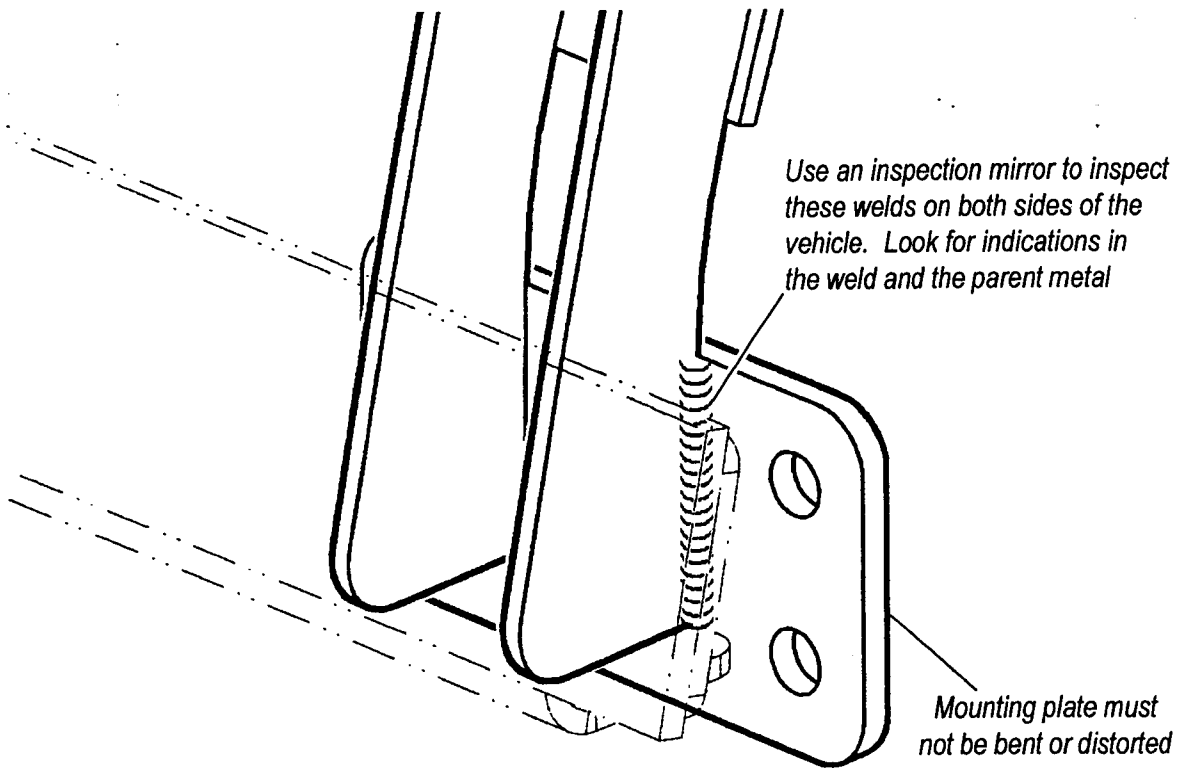
Bulletin No:	B410CRM126-A
Release Date:	February 19, 2004
Effective Date:	Immediately
Supersedes:	B410CRM126-0
Completion Date:	N / A
Page:	3 of 3

Ride Manufacturer: CHANCE RIDES, INC.      Affected Production Dates: January 1, 1999 and on

Ride Name: AVIATOR      Affected Serial Nos.: 410-00399 and on

Model No.: 410

Detail of Issue (continued):



**DETAIL VIEW FROM BACK OF MOUNTING PLATES**  
(some parts are deleted in this illustration for clarity)