



CHANCE RIDES, INC.
 4219 Irving
 Wichita, KS 67277-2328
 U.S.A.
 Phone: 1-800-242-6231 • FAX: 1-316-942-7416
 Website: www.rides.com
 E-mail: rides@rides.com

Part Number	B414R1244-0
Issue Date	September 6, 2000
Revision	September 6, 2000
Material	N/A
Issue Date	October 6, 2000
Page	2 of 3

CHANCE RIDES, INC. All

INVERTER (Portable Model) All units
 INVERTER (Park Model)
 DOUBLE INVERTER

414

Installation Instructions

IMPORTANT: This kit must be installed during moderate temperatures. This will prevent excessive stress on the components during hot or cold temperature extremes.

1. Locate the stiffener on the back side of the hair guard panel as shown. The bottom of the stiffener should rest on top of the steel tube of the vehicle frame. Center the stiffener on the panel, with equal spaces at each end.
2. Using one of the holes in the stiffener as a guide, drill a 7/32" diameter hole through the Lexan panel. Do not drill the steel frame.
3. Install one of the rivets provided with the kit to attach the stiffener to the panel. This will hold the stiffener in place while the remaining holes are drilled.
4. Drill the remaining five holes in the panel to match the holes in the stiffener. Install five more rivets to attach the panel to the stiffener.
6. Repeat the process for the five remaining hair guard panels.

NOTICE

Use only those components authorized, specified or provided by Chance Rides, Inc.

Chance Rides, Inc. SPECIFICALLY DISCLAIMS ANY LIABILITY for losses associated with any unauthorized alterations and/or modifications or additions and installations of unauthorized components.



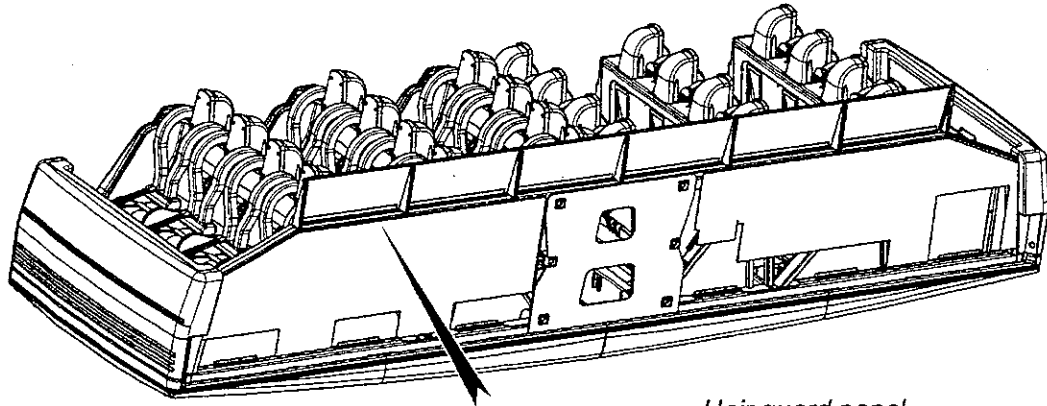
CHANCE RIDES, INC.
 4219 Irving
 Wichita, KS 67277-2328
 U.S.A.
 Phone: 1-800-242-6231 • FAX: 1-316-942-7416
 Website: www.rides.com
 E-mail: rides@rides.com

DATE	B414R1244-0
DATE	September 6, 2000
DATE	September 6, 2000
DATE	N/A
DATE	October 6, 2000
PAGE	3 of 3

CHANCE RIDES, INC. All

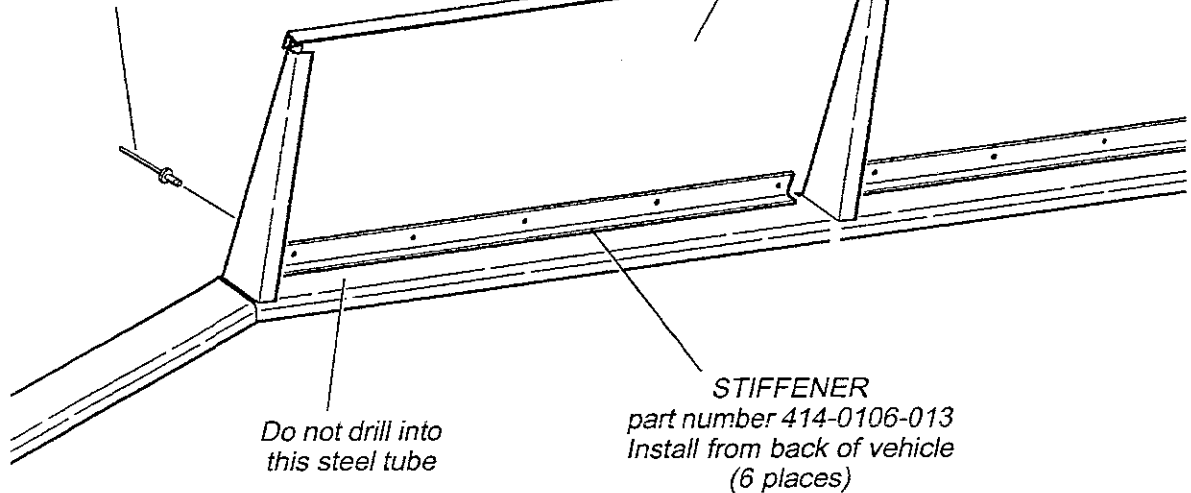
INVERTER (Portable Model) All units
 INVERTER (Park Model)
 DOUBLE INVERTER

414



Hair guard panel

RIVET - 3/16 x 3/8
 part number 66149000
 (6 places per panel, 36 total)



Do not drill into this steel tube

STIFFENER
 part number 414-0106-013
 Install from back of vehicle
 (6 places)